

±2.5°C Low-Power, Analog Out TEMPERATURE SENSOR

Check for Samples: [TMP20](#)

FEATURES

- **±2.5°C ACCURACY FROM –55°C to +130°C**
- **SUPPLY VOLTAGE RANGE: 1.8V to 5.5V**
- **LOW POWER: 4µA (max)**
- **MicroSIZE PACKAGES: SOT563, SC70-5**
- **SC70 PIN-COMPATIBLE WITH LM20**

APPLICATIONS

- **CELL PHONES**
- **DESKTOP AND NOTEBOOK COMPUTERS**
- **PORTABLE DEVICES**
- **CONSUMER ELECTRONICS**
- **BATTERY MANAGEMENT**
- **POWER SUPPLIES**
- **HVAC**
- **THERMAL MONITORING**
- **DISK DRIVES**
- **APPLIANCES/WHITE GOODS**
- **AUTOMOTIVE**

DESCRIPTION

The TMP20 is a CMOS, precision analog output temperature sensor available in the tiny SOT563 package. The TMP20 operates from –55°C to +130°C on a supply voltage of 2.7V to 5.5V with a supply current of 4µA. Operation as low as 1.8V is possible for temperatures between +15°C and +130°C. The linear transfer function has a slope of –11.77mV/°C (typ) and has an output voltage of 1.8639V (typ) at 0°C. The TMP20 has a ±2.5°C accuracy across the entire specified temperature range of –55°C to +130°C.

The TMP20 4µA (max) supply current limits self-heating of the device to less than 0.01°C. When V+ is less than 0.5V, the device is in shutdown mode and consumes less than 20nA (typ).

The TMP20 is available in either a 5-lead SC70 or 6-lead SOT563 package, reducing the overall board space required.



Note: NC or no-connect pin must be grounded or left floating. Pin 2 on the DRL package has no internal connection; pin 2 on the DCK package is connected to the die substrate. See [Layout Information](#) for more information about optimizing the connection of pin 2 on the DCK package for thermal and electrical performance.



Please be aware that an important notice concerning availability, standard warranty, and use in critical applications of Texas Instruments semiconductor products and disclaimers thereto appears at the end of this data sheet.

All trademarks are the property of their respective owners.



This integrated circuit can be damaged by ESD. Texas Instruments recommends that all integrated circuits be handled with appropriate precautions. Failure to observe proper handling and installation procedures can cause damage.

ESD damage can range from subtle performance degradation to complete device failure. Precision integrated circuits may be more susceptible to damage because very small parametric changes could cause the device not to meet its published specifications.

PACKAGE INFORMATION⁽¹⁾

PRODUCT	PACKAGE-LEAD	PACKAGE DESIGNATOR	PACKAGE MARKING
TMP20	SC70-5	DCK	ODB
TMP20	SOT563-6	DRL	ODA

(1) For the most current package and ordering information see the Package Option Addendum at the end of this document, or see the TI web site at www.ti.com.

ABSOLUTE MAXIMUM RATINGS⁽¹⁾

Over operating free-air temperature range, unless otherwise noted.

		TMP20	UNIT
Supply Voltage, V+		+7.0	V
Operating Temperature Range		-55 to +150	°C
Storage Temperature Range		-65 to +150	°C
Junction Temperature (T _J max)		+150	°C
ESD Rating	Human Body Model (HBM)	4000	V
	Charged Device Model (CDM)	1000	V
	Machine Model (MM)	200	V

(1) Stresses above these ratings may cause permanent damage. Exposure to absolute maximum conditions for extended periods may degrade device reliability. These are stress ratings only, and functional operation of the device at these or any other conditions beyond those specified is not implied.

ELECTRICAL CHARACTERISTICS

At $T_A = +25^\circ\text{C}$ and $V_+ = 2.7\text{V}$ to 5.5V , unless otherwise noted.

PARAMETER	CONDITIONS	TMP20			UNIT
		MIN	TYP	MAX	
TEMPERATURE MEASUREMENT⁽¹⁾					
Accuracy ⁽²⁾ vs Supply	$T_A = -55^\circ\text{C}$ to $+130^\circ\text{C}$ $V_+ = 1.8\text{V}$ to $+5.5\text{V}$, at $T_A = +15^\circ\text{C}$ to $+130^\circ\text{C}$ $V_+ = 2.7\text{V}$ to $+5.5\text{V}$, at $T_A = -50^\circ\text{C}$ to $+130^\circ\text{C}$	-2.5 -0.05 -0.05		+2.5 +0.05 +0.05	$^\circ\text{C}$ $^\circ\text{C/V}$ $^\circ\text{C/V}$
Temperature Sensitivity ⁽³⁾	$T_A = -30^\circ\text{C}$ to $+100^\circ\text{C}$	-11.4	-11.77	-12.2	$\text{mV}/^\circ\text{C}$
Output Voltage ⁽⁴⁾	$T_A = 0^\circ\text{C}$ $T_A = +25^\circ\text{C}$		1863.9 1574		mV mV
Nonlinearity ⁽⁵⁾	$-20^\circ\text{C} \leq T_A \leq +80^\circ\text{C}$		± 0.4		%
ANALOG OUTPUT					
Output Resistance	$-600\mu\text{A} \leq I_{\text{LOAD}} \leq 600\mu\text{A}$		10		Ω
Load Regulation	$-600\mu\text{A} \leq I_{\text{LOAD}} \leq 600\mu\text{A}$		6		mV
Maximum Capacitive Load		1			nF
POWER SUPPLY					
Specified Voltage Range	V_S $T_A = -55^\circ\text{C}$ to $+130^\circ\text{C}$ $T_A = +15^\circ\text{C}$ to $+130^\circ\text{C}$ ⁽⁶⁾	2.7 1.8		5.5 5.5	V V
Quiescent Current over Temperature	I_Q $V_+ = 5.5\text{V}$, $T_A = +25^\circ\text{C}$ $V_+ = 5.5\text{V}$, $T = -55^\circ\text{C}$ to $+130^\circ\text{C}$		2.6	4 6	μA μA
Shutdown Current	I_{SD} $V_+ < 0.5\text{V}$		20		nA
TEMPERATURE RANGE					
Specified Operating Range	$V_+ = 2.7\text{V}$ to 5.5V $V_+ = 1.8\text{V}$ to 5.5V ⁽⁶⁾	-55 +15		+130 +130	$^\circ\text{C}$ $^\circ\text{C}$
Operating Range	$V_+ = 2.7\text{V}$ to 5.5V	-55		+150	$^\circ\text{C}$
Thermal Resistance	θ_{JA}		185 238		$^\circ\text{C/W}$ $^\circ\text{C/W}$
Self-Heating				0.01 0.01	$^\circ\text{C}$ $^\circ\text{C}$

(1) 100% production tested at $T_A = +25^\circ\text{C}$. Specifications over temperature range are assured by design.

(2) Power-supply rejection is encompassed in the accuracy specification.

(3) Temperature sensitivity is the average slope to the equation $V_O = (-11.77 \times T) + 1.860\text{V}$.

(4) V_{OUT} is calculated from temperature with the following equation:

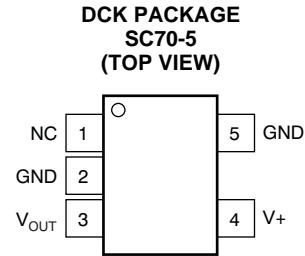
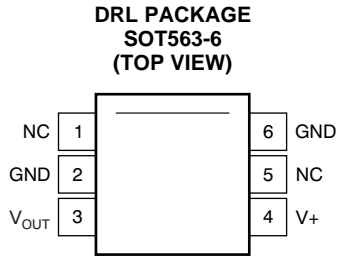
$$V_O = (-3.88 \times 10^{-6} \times T^2) + (-1.15 \times 10^{-2} \times T) + 1.8639\text{V},$$

where T is in $^\circ\text{C}$.

(5) Nonlinearity is the deviation of the calculated output voltage from the best fit straight line.

(6) The TMP20 transfer function requires the output voltage to rise above the 1.8V supply as the temperature decreases below $+15^\circ\text{C}$. When operating at a 1.8V supply, it is normal for the TMP20 output to approach 1.8V and remain at that voltage as the temperature continues to decrease below $+15^\circ\text{C}$. This condition does not damage the device. Once the temperature rises above $+15^\circ\text{C}$, the output voltage resumes changing as the temperature changes, according to the transfer function specified in this document. For more information about the transfer function, see the [Transfer Function](#) section.

PIN CONFIGURATIONS



Note: NC or no-connect pin must be grounded or left floating.

TMP20 PIN ASSIGNMENTS

TMP20			DESCRIPTION
PIN NAME	DRL PACKAGE	DCK PACKAGE	
NC	1	1	This pin must be grounded or left floating. See Layout Information for more information.
NC or GND	2, 5	2	This pin must be grounded or left floating. For best thermal response, connect to GND plane. See Layout Information for more information.
V _{OUT}	3	3	Analog output.
V+	4	4	Positive supply voltage.
GND	6	5	Ground pin.

TYPICAL CHARACTERISTICS

OUTPUT IMPEDANCE vs TEMPERATURE

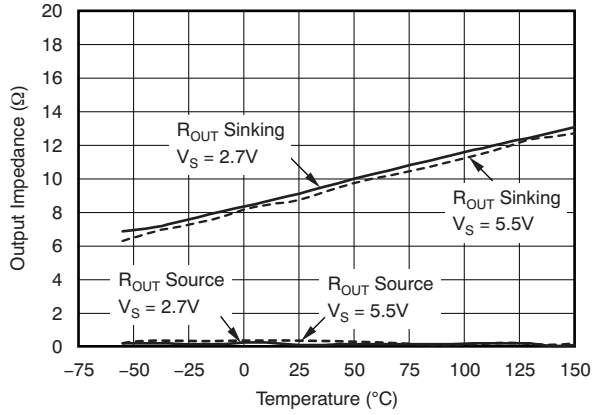


Figure 1.

QUIESCENT CURRENT vs TEMPERATURE

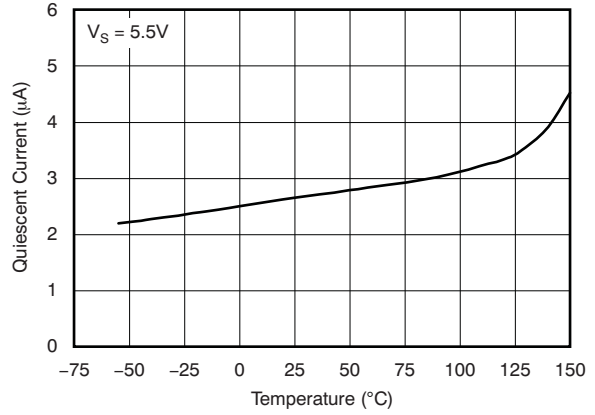


Figure 2.

OUTPUT VOLTAGE vs TEMPERATURE

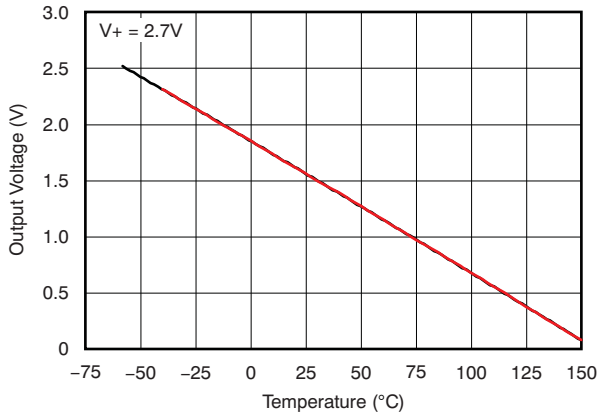


Figure 3.

QUIESCENT CURRENT vs SUPPLY VOLTAGE

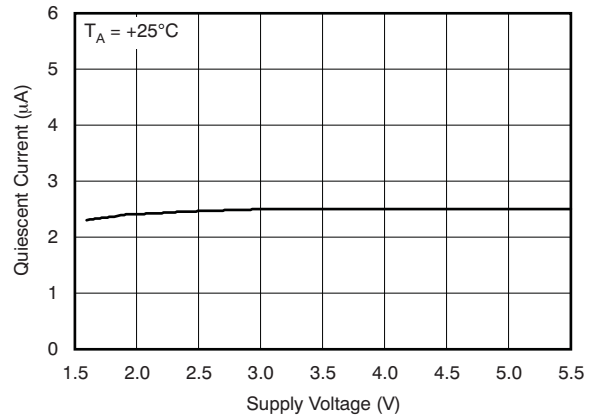


Figure 4.

POWER-SUPPLY REJECTION vs TEMPERATURE

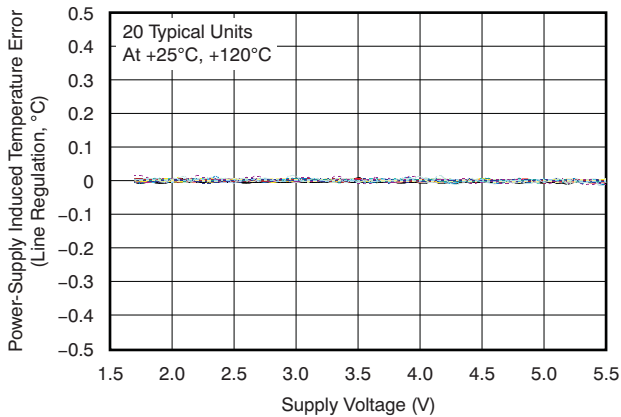


Figure 5.

POWER-SUPPLY REJECTION vs TEMPERATURE

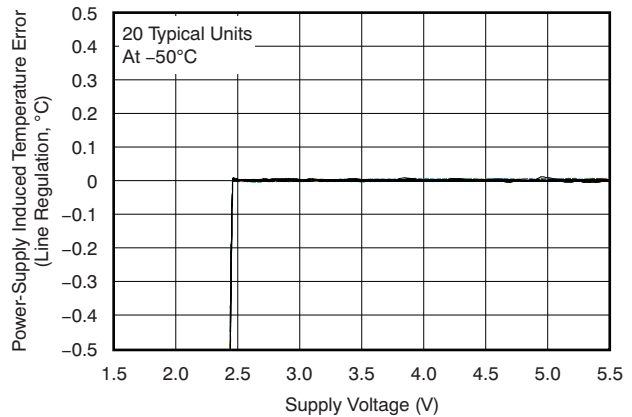


Figure 6.

TYPICAL CHARACTERISTICS (continued)

TEMPERATURE ERROR vs TEMPERATURE

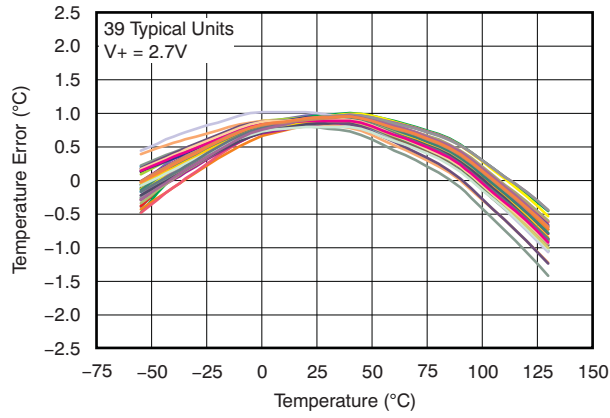


Figure 7.

MINIMUM SUPPLY VOLTAGE vs TEMPERATURE

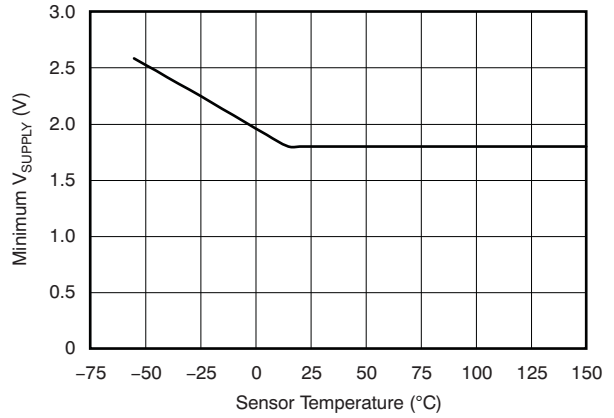


Figure 8.

WIDEBAND OUTPUT NOISE VOLTAGE

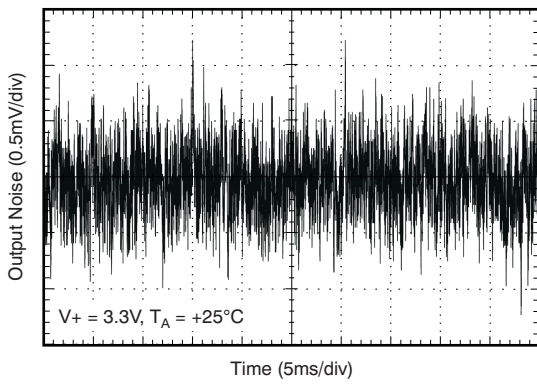


Figure 9.

THERMAL SETTLING (FLUID-FILLED TEMPERATURE BATH)

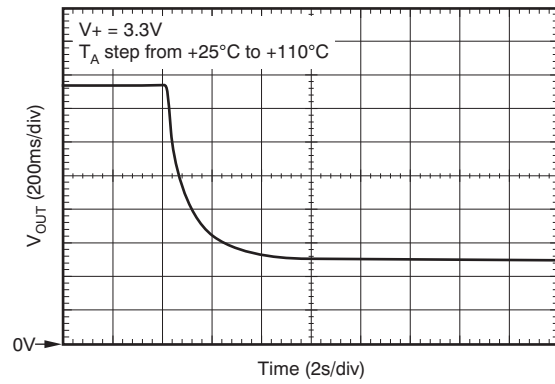


Figure 10.

APPLICATION INFORMATION

OVERVIEW

The TMP20 is a precision analog output temperature sensor. The temperature range of operation is -55°C to $+130^{\circ}\text{C}$ with supply voltages of 2.7V to 5.5V. The TMP20 can operate from power-supply voltages as low as 1.8V over a temperature range of $+15^{\circ}\text{C}$ to $+130^{\circ}\text{C}$.

Power-supply bypassing is recommended; use a 100nF capacitor placed as closely as possible to the supply pin.

TRANSFER FUNCTION

The analog output of the TMP20 over the -55°C to $+130^{\circ}\text{C}$ temperature range corresponds to the parabolic transfer function:

$$V_{\text{OUT}} = (-3.88 \times 10^{-6} \times T^2) + (-1.15 \times 10^{-2} \times T) + 1.8639\text{V}$$

Where the temperature T is in $^{\circ}\text{C}$.

When solved for temperature, the equation is:

$$T = -1481.96 + \sqrt{\frac{2.19262 \times 10^6 + (1.8639 - V_o)}{3.88 \times 10^{-6}}}$$

These equations apply over the entire operating range, -55°C to $+130^{\circ}\text{C}$.

A simplified linear transfer function for near $+25^{\circ}\text{C}$ measurement is:

$$V_{\text{OUT}} = -11.69\text{mV}/^{\circ}\text{C} \times T + 1.8663\text{V}.$$

Linear transfer functions can be calculated for limited temperature ranges by calculating the slope and offset for that limited range, where slope is calculated by:

$$m = -7.76 \times 10^{-6} \times T - 0.0115$$

with T equal to the temperature at the middle of the temperature range of interest.

The offset in the linear transfer function is found by:

$$b = [V_{\text{OUT}}(T_{\text{MAX}}) + V_{\text{OUT}}(T) - m \times (T_{\text{MAX}} + T)]/2$$

where $V_{\text{OUT}}(T_{\text{MAX}})$ is the calculated output voltage at T_{MAX} as determined from the parabolic transfer function.

$V_{\text{OUT}}(T)$ is then the calculated output voltage at T as determined by using the parabolic transfer function.

Example 1

Determine the linear transfer function for -40°C to $+110^{\circ}\text{C}$.

$T_{\text{MIN}} = -40^{\circ}\text{C}$; $T_{\text{MAX}} = +110^{\circ}\text{C}$; therefore, $T = +35^{\circ}\text{C}$

$$m = -11.77\text{mV}/^{\circ}\text{C}$$

$$V_{\text{OUT}}(110^{\circ}\text{C}) = 0.5520\text{V}$$

$$V_{\text{OUT}}(35^{\circ}\text{C}) = 1.4566\text{V}$$

$$b = 1.8576\text{V}$$

Therefore, the linear transfer function for -40°C to $+110^{\circ}\text{C}$ is:

$$V_{\text{OUT}} = -11.77\text{mV}/^{\circ}\text{C} \times T + 1.8576\text{V}$$

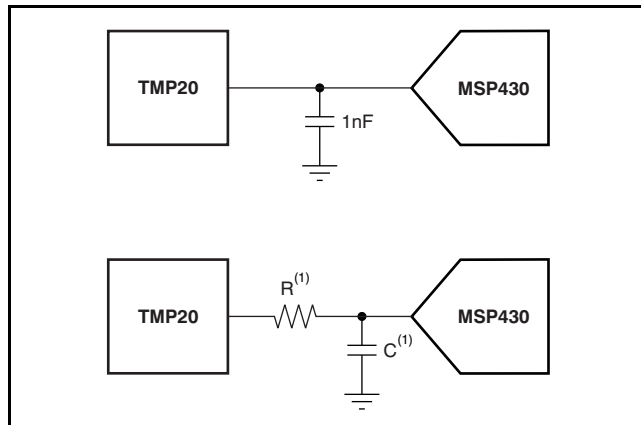
Table 1 shows many common temperature ranges of interest and the corresponding linear transfer functions for these ranges. Note that the error (maximum deviation) of the linear equation from the parabolic equation increases as the temperature ranges widen.

Table 1. Common Temperature Ranges and Corresponding Linear Transfer Functions

Temperature Range		Linear Equation (V)	Maximum Deviation of Linear Equation from Parabolic Equation ($^{\circ}\text{C}$)
T_{MIN} ($^{\circ}\text{C}$)	T_{MAX} ($^{\circ}\text{C}$)		
-55	+130	$V_{\text{OUT}} = -11.79\text{mV}/^{\circ}\text{C} \times T + 1.8528$	± 1.41
-40	+110	$V_{\text{OUT}} = -11.77\text{mV}/^{\circ}\text{C} \times T + 1.8577$	± 0.93
-30	+100	$V_{\text{OUT}} = -11.77\text{mV}/^{\circ}\text{C} \times T + 1.8605$	± 0.70
-40	+85	$V_{\text{OUT}} = -11.67\text{mV}/^{\circ}\text{C} \times T + 1.8583$	± 0.65
-10	+65	$V_{\text{OUT}} = -11.71\text{mV}/^{\circ}\text{C} \times T + 1.8641$	± 0.23
+35	+45	$V_{\text{OUT}} = -11.81\text{mV}/^{\circ}\text{C} \times T + 1.8701$	± 0.004
+20	+30	$V_{\text{OUT}} = -11.69\text{mV}/^{\circ}\text{C} \times T + 1.8663$	± 0.004

OUTPUT DRIVE and CAPACITIVE LOADS

When used in noisy environments, adding a capacitor from the output to ground with a series resistor filters the TMP20 output; this configuration is illustrated in Figure 11. The TMP20 can directly drive up to 1nF of load capacitance while sourcing and sinking 600µA. Under this condition, capacitive loads in the range of 1nF to 10µF require a 150Ω series output resistor to achieve a stable temperature measurement. The output impedance of the TMP20 is 10Ω (typical) when sinking current and less than 1Ω when sourcing current, as shown in Figure 1.



(1) A series resistor, R, may be required depending upon the amount of capacitance, C, and the amount of source/sink current drawn from the output of the TMP20.

Figure 11. TMP20 Output Filtering

TINA-TI (FREE DOWNLOAD SOFTWARE)

Using TINA-TI SPICE-Based Analog Simulation Program with the TMP20

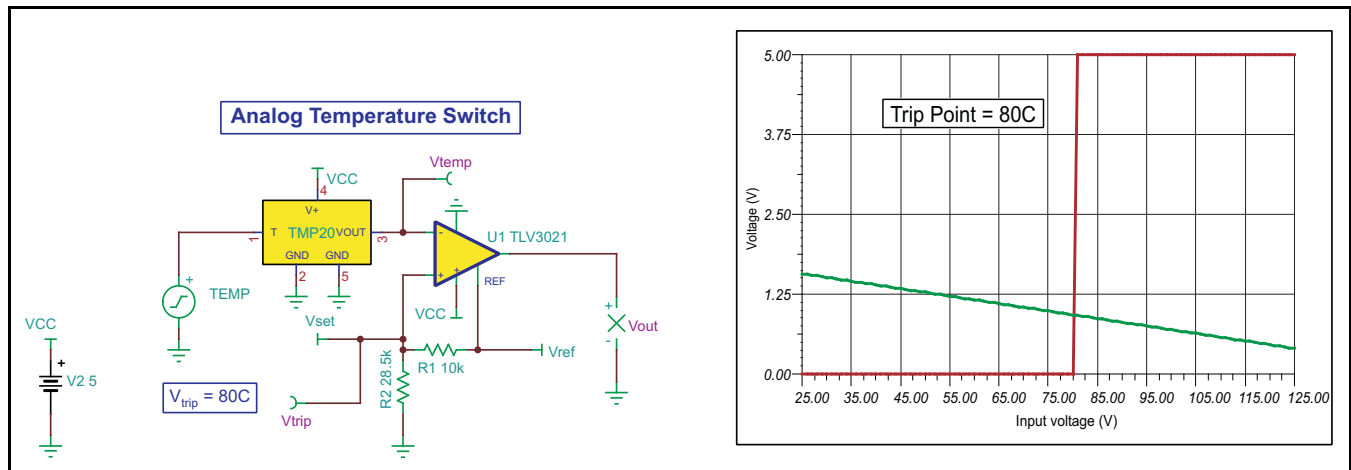
TINA is a simple, powerful, and easy-to-use circuit simulation program based on a SPICE engine. TINA-TI is a free, fully functional version of the TINA software, preloaded with a library of macromodels in addition to a range of both passive and active models. It provides all the conventional dc, transient, and frequency domain analysis of SPICE as well as additional design capabilities.

Available as a free download from the [Analog eLab Design Center](#), TINA-TI offers extensive post-processing capability that allows users to format results in a variety of ways.

Virtual instruments offer users the ability to select input waveforms and probe circuit nodes, voltages, and waveforms, creating a dynamic quick-start tool.

Figure 12 and Figure 13 show example TINA-TI circuits for the TMP20 that can be used to develop, modify, and assess the circuit design for specific applications. Links to download these simulation files are given below.

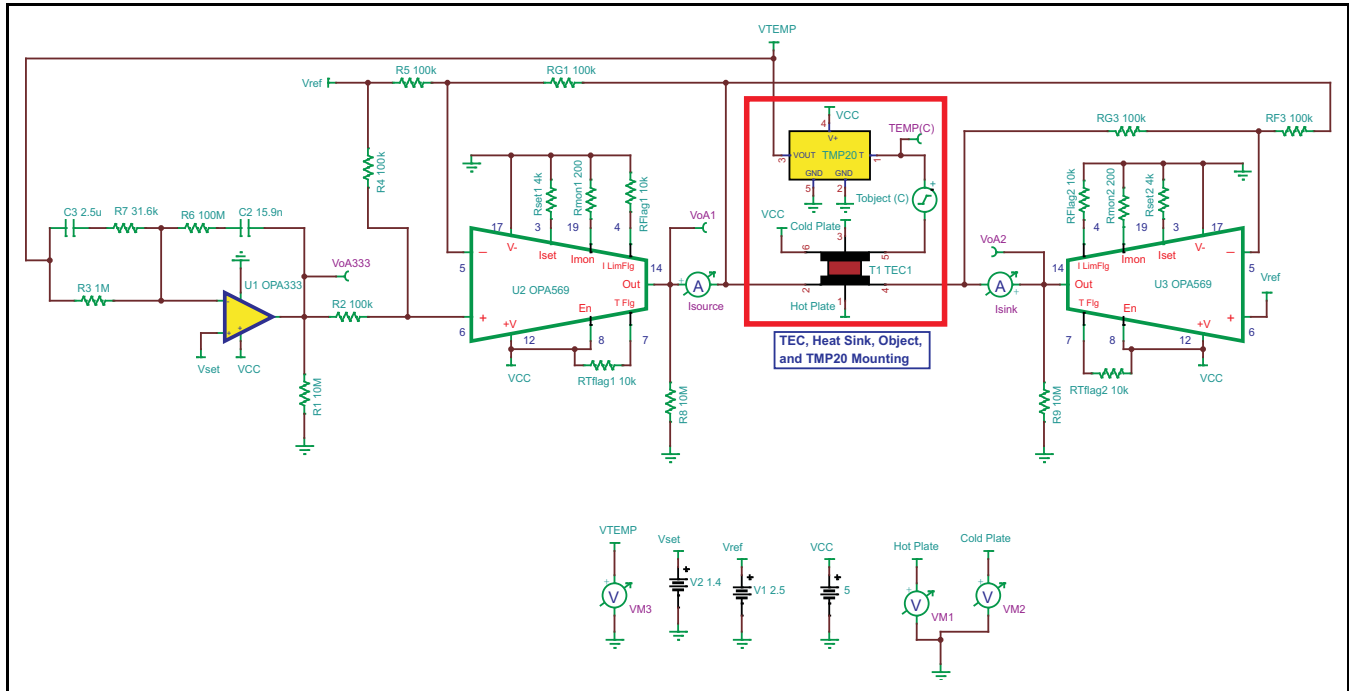
NOTE: These files require that either the TINA software (from DesignSoft) or TINA-TI software be installed. Download the free TINA-TI software from the [TINA-TI folder](#).



Note: The TMP20 TINA model is preliminary only.

Figure 12. Analog Temperature Switch

To download a compressed file that contains the TINA-TI simulation file for this circuit, click the following link: [Analog Temperature Switch](#).



- (1) The TMP20 TINA model is preliminary only.
- (2) Parameters and definitions:
 - a. T_{object} = Temperature of object to be cooled (in °C)
 - b. V_{set} = Voltage that corresponds to desired output temperature from TMP20
 - c. V_{temp} = Voltage output of TMP20
 - d. Hotplate = TEC plate on opposite side of object
 - e. Coldplate = TEC plate in contact with object
- (3) In this configuration, the TEC driver is capable of cooling to -7°C and heating to $+41^{\circ}\text{C}$; the V_{set} range is 1.38V to 1.95V. The OPA569 device outputs = $\pm 1.65\text{A}$, $\pm 0.5\text{V}$ to $\pm 4.5\text{V}$. The $10\text{M}\Omega$ resistors are for TINA convergence.
- (4) For convergence in TINA software: In **Analysis/Set Analysis Parameters** menu, set *shunt conductance* = 1p.

Figure 13. Thermoelectric Cooler

To download a compressed file that contains the TINA-TI simulation file for this circuit, click the following link: [Thermoelectric Cooler](#).

LAYOUT INFORMATION

The substrate on the TMP20AIDCK package is directly connected via conductive epoxy to the flag which connects pin 2 (GND) on the lead frame. Consequently, pin 2 (GND) is the best lead for a conductive thermal connection to the TMP20 die. In addition, the optimal electrical connection for this pin is ground (GND).

Do NOT attempt to connect pin 2 to any electrical potential other than ground.

If it is not possible to connect pin 2 to ground, it is also possible to electrically isolate this pin (that is, leave it floating); however, be very cautious in doing this because any noise or electromagnetic interference or radio frequency interference (EMI/RFI) spikes that couple in through this pin can cause erroneous temperature results.

Figure 14 shows a proper layout of the TMP20 with correct electrical and thermal connections of pin 2.

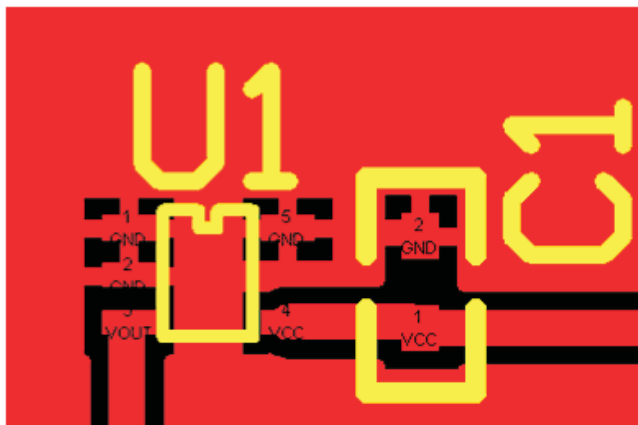


Figure 14. TMP20 Layout with Proper Electrical and Thermal Connections for Pin 2

Figure 15 illustrates a layout of the TMP20 with proper electrical connections and poor thermal connections to ground.

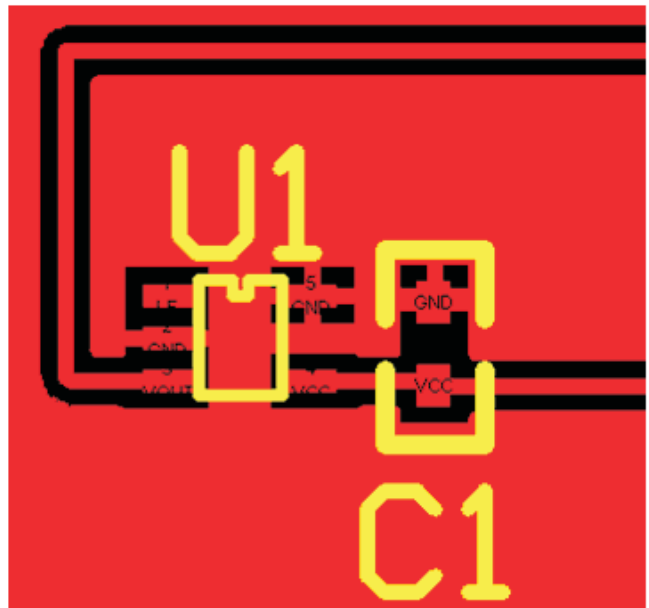


Figure 15. TMP20 Layout with Proper Electrical and Poor Thermal Connections to Ground

PACKAGING INFORMATION

Orderable Device	Status ⁽¹⁾	Package Type	Package Drawing	Pins	Package Qty	Eco Plan ⁽²⁾	Lead/ Ball Finish	MSL Peak Temp ⁽³⁾	Samples (Requires Login)
TMP20AIDCKR	ACTIVE	SC70	DCK	5	3000	Green (RoHS & no Sb/Br)	CU NIPDAU	Level-1-260C-UNLIM	Request Free Samples
TMP20AIDCKT	ACTIVE	SC70	DCK	5	250	Green (RoHS & no Sb/Br)	CU NIPDAU	Level-1-260C-UNLIM	Purchase Samples
TMP20AIDRLR	ACTIVE	SOT	DRL	6	4000	Green (RoHS & no Sb/Br)	CU NIPDAU	Level-1-260C-UNLIM	Purchase Samples
TMP20AIDRLT	ACTIVE	SOT	DRL	6	250	Green (RoHS & no Sb/Br)	CU NIPDAU	Level-1-260C-UNLIM	Request Free Samples

⁽¹⁾ The marketing status values are defined as follows:

ACTIVE: Product device recommended for new designs.

LIFEBUY: TI has announced that the device will be discontinued, and a lifetime-buy period is in effect.

NRND: Not recommended for new designs. Device is in production to support existing customers, but TI does not recommend using this part in a new design.

PREVIEW: Device has been announced but is not in production. Samples may or may not be available.

OBSOLETE: TI has discontinued the production of the device.

⁽²⁾ Eco Plan - The planned eco-friendly classification: Pb-Free (RoHS), Pb-Free (RoHS Exempt), or Green (RoHS & no Sb/Br) - please check <http://www.ti.com/productcontent> for the latest availability information and additional product content details.

TBD: The Pb-Free/Green conversion plan has not been defined.

Pb-Free (RoHS): TI's terms "Lead-Free" or "Pb-Free" mean semiconductor products that are compatible with the current RoHS requirements for all 6 substances, including the requirement that lead not exceed 0.1% by weight in homogeneous materials. Where designed to be soldered at high temperatures, TI Pb-Free products are suitable for use in specified lead-free processes.

Pb-Free (RoHS Exempt): This component has a RoHS exemption for either 1) lead-based flip-chip solder bumps used between the die and package, or 2) lead-based die adhesive used between the die and leadframe. The component is otherwise considered Pb-Free (RoHS compatible) as defined above.

Green (RoHS & no Sb/Br): TI defines "Green" to mean Pb-Free (RoHS compatible), and free of Bromine (Br) and Antimony (Sb) based flame retardants (Br or Sb do not exceed 0.1% by weight in homogeneous material)

⁽³⁾ MSL, Peak Temp. -- The Moisture Sensitivity Level rating according to the JEDEC industry standard classifications, and peak solder temperature.

Important Information and Disclaimer: The information provided on this page represents TI's knowledge and belief as of the date that it is provided. TI bases its knowledge and belief on information provided by third parties, and makes no representation or warranty as to the accuracy of such information. Efforts are underway to better integrate information from third parties. TI has taken and continues to take reasonable steps to provide representative and accurate information but may not have conducted destructive testing or chemical analysis on incoming materials and chemicals. TI and TI suppliers consider certain information to be proprietary, and thus CAS numbers and other limited information may not be available for release.

In no event shall TI's liability arising out of such information exceed the total purchase price of the TI part(s) at issue in this document sold by TI to Customer on an annual basis.

TAPE AND REEL INFORMATION

QUADRANT ASSIGNMENTS FOR PIN 1 ORIENTATION IN TAPE


*All dimensions are nominal

Device	Package Type	Package Drawing	Pins	SPQ	Reel Diameter (mm)	Reel Width W1 (mm)	A0 (mm)	B0 (mm)	K0 (mm)	P1 (mm)	W (mm)	Pin1 Quadrant
TMP20AIDRLR	SOT	DRL	6	4000	180.0	8.4	1.98	1.78	0.69	4.0	8.0	Q3
TMP20AIDRLT	SOT	DRL	6	250	180.0	8.4	1.98	1.78	0.69	4.0	8.0	Q3

TAPE AND REEL BOX DIMENSIONS


*All dimensions are nominal

Device	Package Type	Package Drawing	Pins	SPQ	Length (mm)	Width (mm)	Height (mm)
TMP20AIDRLR	SOT	DRL	6	4000	202.0	201.0	28.0
TMP20AIDRLT	SOT	DRL	6	250	202.0	201.0	28.0

DCK (R-PDSO-G5)

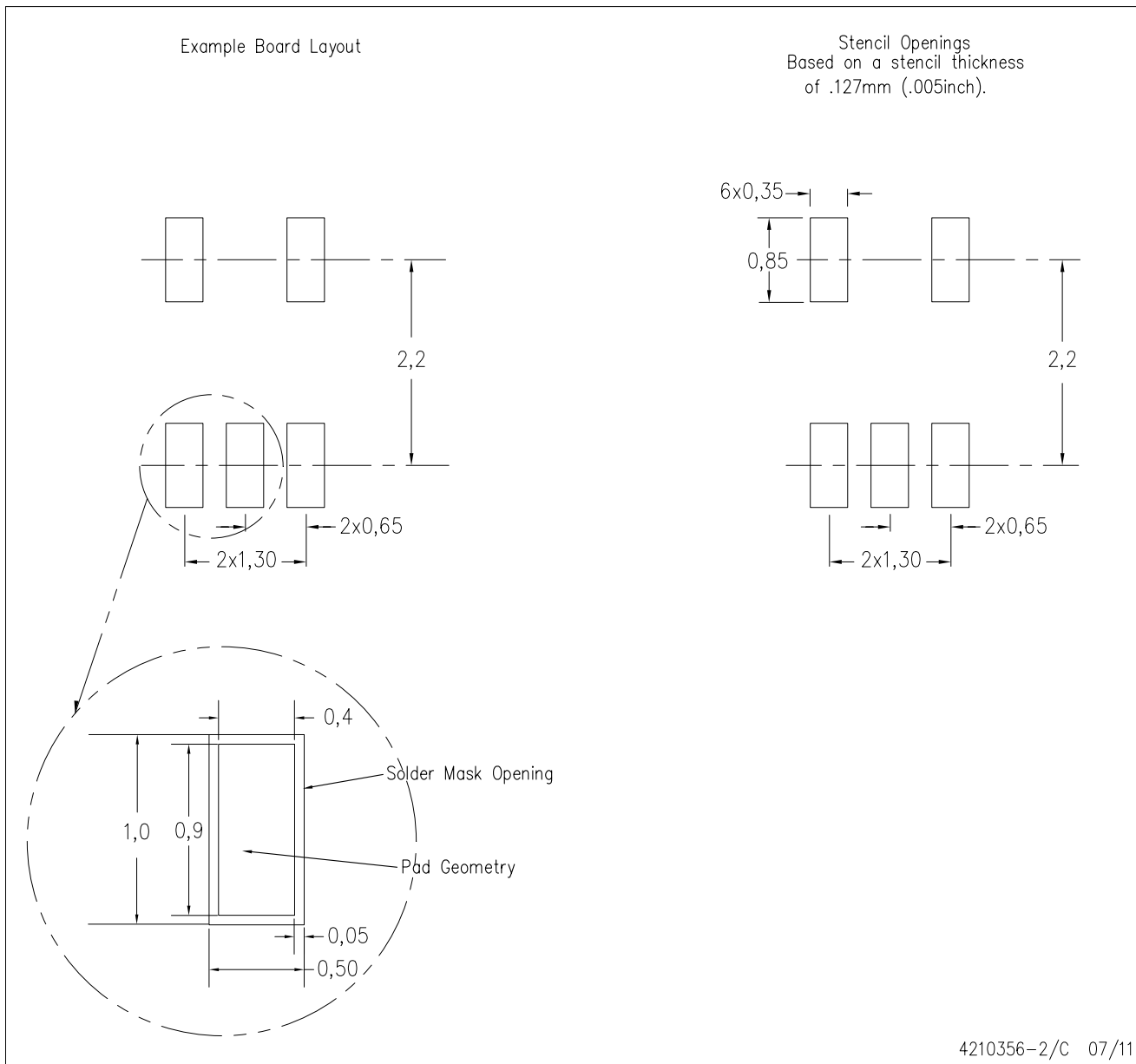
PLASTIC SMALL-OUTLINE PACKAGE



- NOTES:
- A. All linear dimensions are in millimeters.
 - B. This drawing is subject to change without notice.
 - C. Body dimensions do not include mold flash or protrusion. Mold flash and protrusion shall not exceed 0.15 per side.
 - D. Falls within JEDEC MO-203 variation AA.

DCK (R-PDSO-G5)

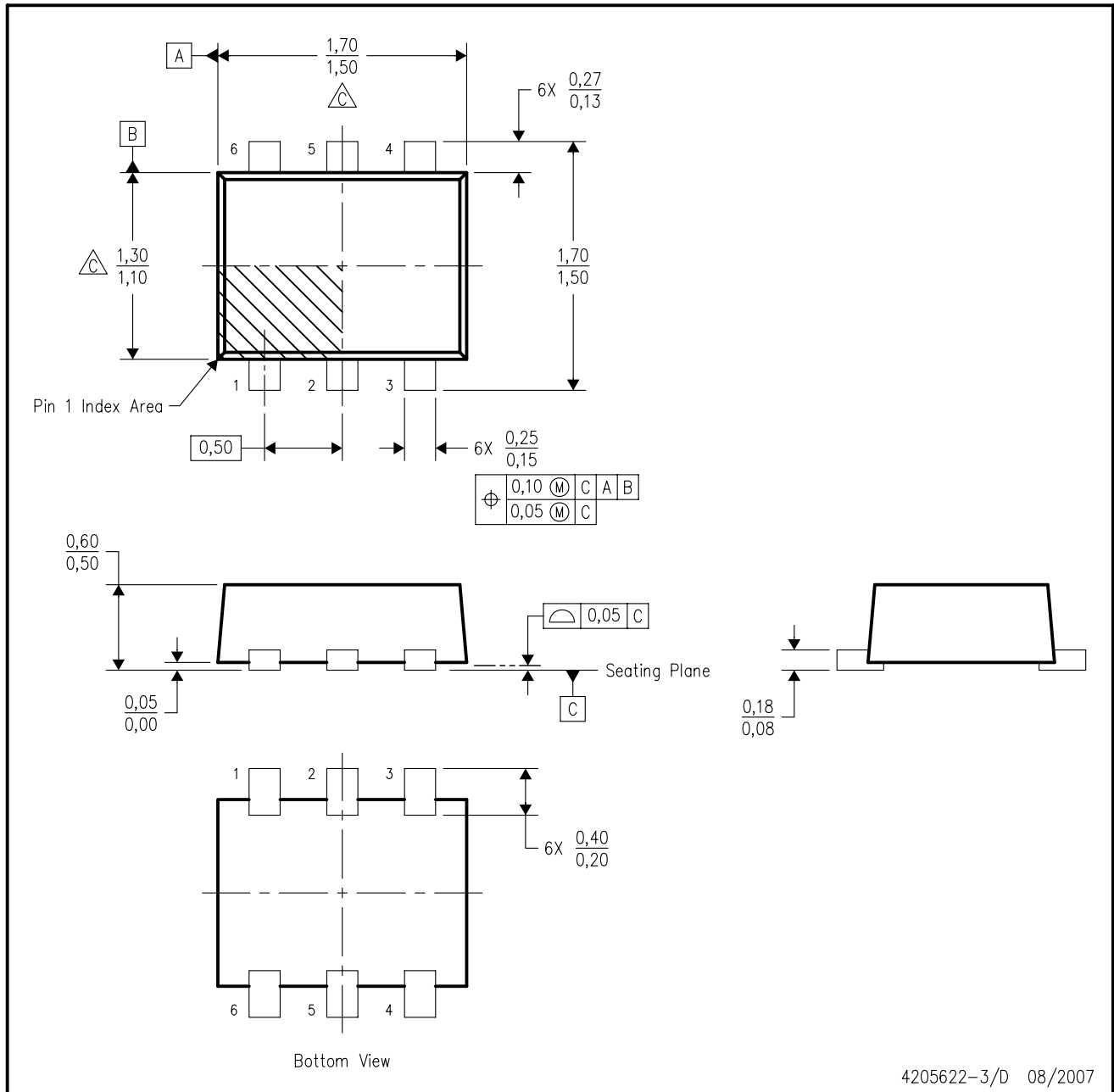
PLASTIC SMALL OUTLINE



- NOTES:
- All linear dimensions are in millimeters.
 - This drawing is subject to change without notice.
 - Customers should place a note on the circuit board fabrication drawing not to alter the center solder mask defined pad.
 - Publication IPC-7351 is recommended for alternate designs.
 - Laser cutting apertures with trapezoidal walls and also rounding corners will offer better paste release. Customers should contact their board assembly site for stencil design recommendations. Example stencil design based on a 50% volumetric metal load solder paste. Refer to IPC-7525 for other stencil recommendations.

DRL (R-PDSO-N6)

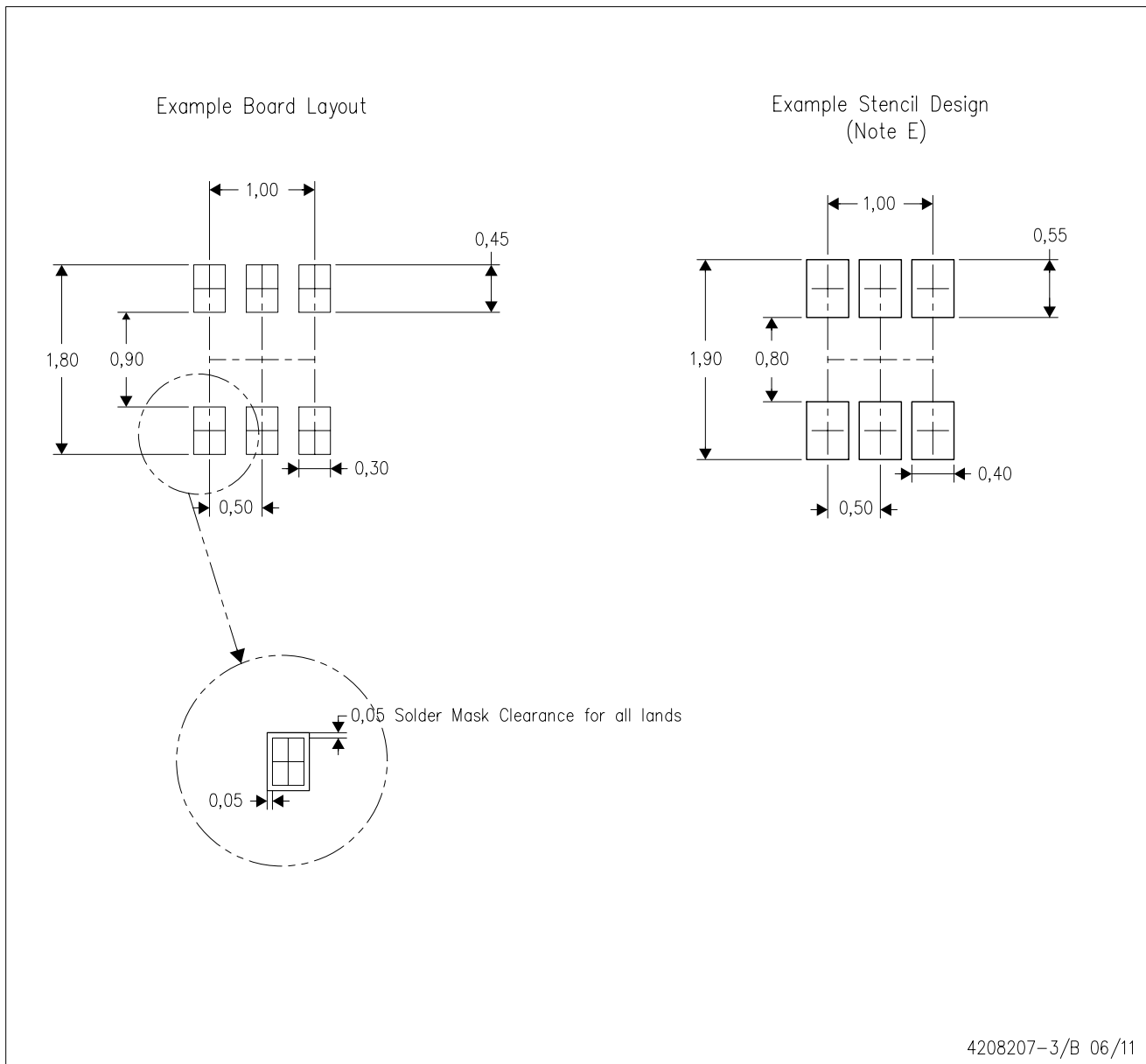
PLASTIC SMALL OUTLINE



- NOTES:
- A. All linear dimensions are in millimeters. Dimensioning and tolerancing per ASME Y14.5M-1994.
 - B. This drawing is subject to change without notice.
 - C. Body dimensions do not include mold flash, interlead flash, protrusions, or gate burrs. Mold flash, interlead flash, protrusions, or gate burrs shall not exceed 0,15 per end or side.
 - D. JEDEC package registration is pending.

DRL (R-PDSO-N6)

PLASTIC SMALL OUTLINE



- NOTES:
- A. All linear dimensions are in millimeters.
 - B. This drawing is subject to change without notice.
 - C. Publication IPC-7351 is recommended for alternate designs.
 - D. Customers should contact their board fabrication site for minimum solder mask web tolerances between signal pads.
 - E. Maximum stencil thickness 0,127 mm (5 mils). All linear dimensions are in millimeters.
 - F. Laser cutting apertures with trapezoidal walls and also rounding corners will offer better paste release. Customers should contact their board assembly site for stencil design recommendations. Refer to IPC 7525 for stencil design considerations.
 - G. Side aperture dimensions over-print land for acceptable area ratio > 0.66. Customer may reduce side aperture dimensions if stencil manufacturing process allows for sufficient release at smaller opening.

IMPORTANT NOTICE

Texas Instruments Incorporated and its subsidiaries (TI) reserve the right to make corrections, modifications, enhancements, improvements, and other changes to its products and services at any time and to discontinue any product or service without notice. Customers should obtain the latest relevant information before placing orders and should verify that such information is current and complete. All products are sold subject to TI's terms and conditions of sale supplied at the time of order acknowledgment.

TI warrants performance of its hardware products to the specifications applicable at the time of sale in accordance with TI's standard warranty. Testing and other quality control techniques are used to the extent TI deems necessary to support this warranty. Except where mandated by government requirements, testing of all parameters of each product is not necessarily performed.

TI assumes no liability for applications assistance or customer product design. Customers are responsible for their products and applications using TI components. To minimize the risks associated with customer products and applications, customers should provide adequate design and operating safeguards.

TI does not warrant or represent that any license, either express or implied, is granted under any TI patent right, copyright, mask work right, or other TI intellectual property right relating to any combination, machine, or process in which TI products or services are used. Information published by TI regarding third-party products or services does not constitute a license from TI to use such products or services or a warranty or endorsement thereof. Use of such information may require a license from a third party under the patents or other intellectual property of the third party, or a license from TI under the patents or other intellectual property of TI.

Reproduction of TI information in TI data books or data sheets is permissible only if reproduction is without alteration and is accompanied by all associated warranties, conditions, limitations, and notices. Reproduction of this information with alteration is an unfair and deceptive business practice. TI is not responsible or liable for such altered documentation. Information of third parties may be subject to additional restrictions.

Resale of TI products or services with statements different from or beyond the parameters stated by TI for that product or service voids all express and any implied warranties for the associated TI product or service and is an unfair and deceptive business practice. TI is not responsible or liable for any such statements.

TI products are not authorized for use in safety-critical applications (such as life support) where a failure of the TI product would reasonably be expected to cause severe personal injury or death, unless officers of the parties have executed an agreement specifically governing such use. Buyers represent that they have all necessary expertise in the safety and regulatory ramifications of their applications, and acknowledge and agree that they are solely responsible for all legal, regulatory and safety-related requirements concerning their products and any use of TI products in such safety-critical applications, notwithstanding any applications-related information or support that may be provided by TI. Further, Buyers must fully indemnify TI and its representatives against any damages arising out of the use of TI products in such safety-critical applications.

TI products are neither designed nor intended for use in military/aerospace applications or environments unless the TI products are specifically designated by TI as military-grade or "enhanced plastic." Only products designated by TI as military-grade meet military specifications. Buyers acknowledge and agree that any such use of TI products which TI has not designated as military-grade is solely at the Buyer's risk, and that they are solely responsible for compliance with all legal and regulatory requirements in connection with such use.

TI products are neither designed nor intended for use in automotive applications or environments unless the specific TI products are designated by TI as compliant with ISO/TS 16949 requirements. Buyers acknowledge and agree that, if they use any non-designated products in automotive applications, TI will not be responsible for any failure to meet such requirements.

Following are URLs where you can obtain information on other Texas Instruments products and application solutions:

Products

Audio	www.ti.com/audio
Amplifiers	amplifier.ti.com
Data Converters	dataconverter.ti.com
DLP® Products	www.dlp.com
DSP	dsp.ti.com
Clocks and Timers	www.ti.com/clocks
Interface	interface.ti.com
Logic	logic.ti.com
Power Mgmt	power.ti.com
Microcontrollers	microcontroller.ti.com
RFID	www.ti-rfid.com
RF/IF and ZigBee® Solutions	www.ti.com/lprf

Applications

Communications and Telecom	www.ti.com/communications
Computers and Peripherals	www.ti.com/computers
Consumer Electronics	www.ti.com/consumer-apps
Energy and Lighting	www.ti.com/energy
Industrial	www.ti.com/industrial
Medical	www.ti.com/medical
Security	www.ti.com/security
Space, Avionics and Defense	www.ti.com/space-avionics-defense
Transportation and Automotive	www.ti.com/automotive
Video and Imaging	www.ti.com/video
Wireless	www.ti.com/wireless-apps

TI E2E Community Home Page

e2e.ti.com

Mailing Address: Texas Instruments, Post Office Box 655303, Dallas, Texas 75265
Copyright © 2011, Texas Instruments Incorporated